

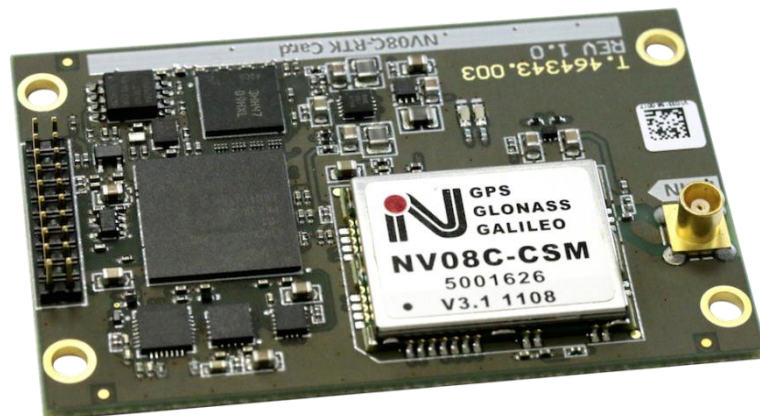


# GPS/GLONASS/SBAS RECEIVER

## NV08C-RTK GNSS Card

### Datasheet

Version 1.0



**NVS Technologies AG**

Letzastrasse 2, 9462 Montlingen, Switzerland

Tel +41 71 760 07 36 Fax +41 71 760 07 38

[www.nvs-gnss.com](http://www.nvs-gnss.com)

**Revision History**

<b>Revision ID</b>	<b>Date</b>	<b>Description</b>
1.0	December 29, 2014	First Release of the document

## Contents

Revision History .....	2
Contents .....	3
1 General Description.....	4
1.1. Introduction .....	4
1.2. Navigation Features .....	6
1.3. RF Functionalities.....	6
1.4. Environmental Data .....	7
2 Mechanical Specification.....	8
3 GNSS Antenna Interface.....	9
4 Data Interfaces and Protocols .....	9
4.1 Data interface .....	9
4.2 Data Protocol .....	10
4.3 Default Device Configuration.....	10
5 Electrical Specification .....	11
5.1 Absolute Maximum Ratings.....	11
5.2 DC Electrical Characteristics .....	11
5.3 AC Electrical Characteristics.....	11
5.4 System Connector Pin Assignment.....	12
5.5 Digital Signals Specification .....	12
5.5.1 RESET_IN Signal .....	12
5.5.2 UARTs and PPS Signals.....	13
5.5.3 1PPS Output.....	13
5.5.4 USB_N, USB_P Signals .....	13
6 Functional Description .....	14
6.1 Functional overview.....	14
6.2 GNSS Antenna Connection .....	14
6.3 Backup Power Supply VBAT .....	14
6.4 Firmware Update .....	14

# 1 General Description

## 1.1. Introduction

The NV08C-RTK GNSS Card is an easy-to-integrate GNSS module to provide advanced and high precision navigation functions to end user applications. The NV08C-RTK GNSS Card form-factor is compatible with NovAtel's OEM6, OEMStar, Superstar II, OEMV-1, OEMV-1G and OEMV1-DF receivers.

The NV08C-RTK GNSS Card provides 32 channels of combined GPS L1 and GLONASS L1 code and carrier phase tracking. Position, velocity and time information is available at up to a maximum update rate of 20 Hz, with a 1 PPS (Pulse per Second) accuracy of 15 ns.

The NV08C-RTK GNSS Card uses Space Based Augmentation System (SBAS) corrections from services such as WAAS, EGNOS, MSAS and GAGAN.

The NV08C-RTK GNSS Card also provides processing of code and phase differential correction in RTCM format (versions 2.2, 2.3, 3.1) to support DGNSS and RTK positioning modes.

The NV08C-RTK GNSS Card accepts a nominal input voltage between 3.3 and 5.0 VDC (minimum 3.0 to maximum 5.5 VDC) and uses NV08C NMEA command interfaces.

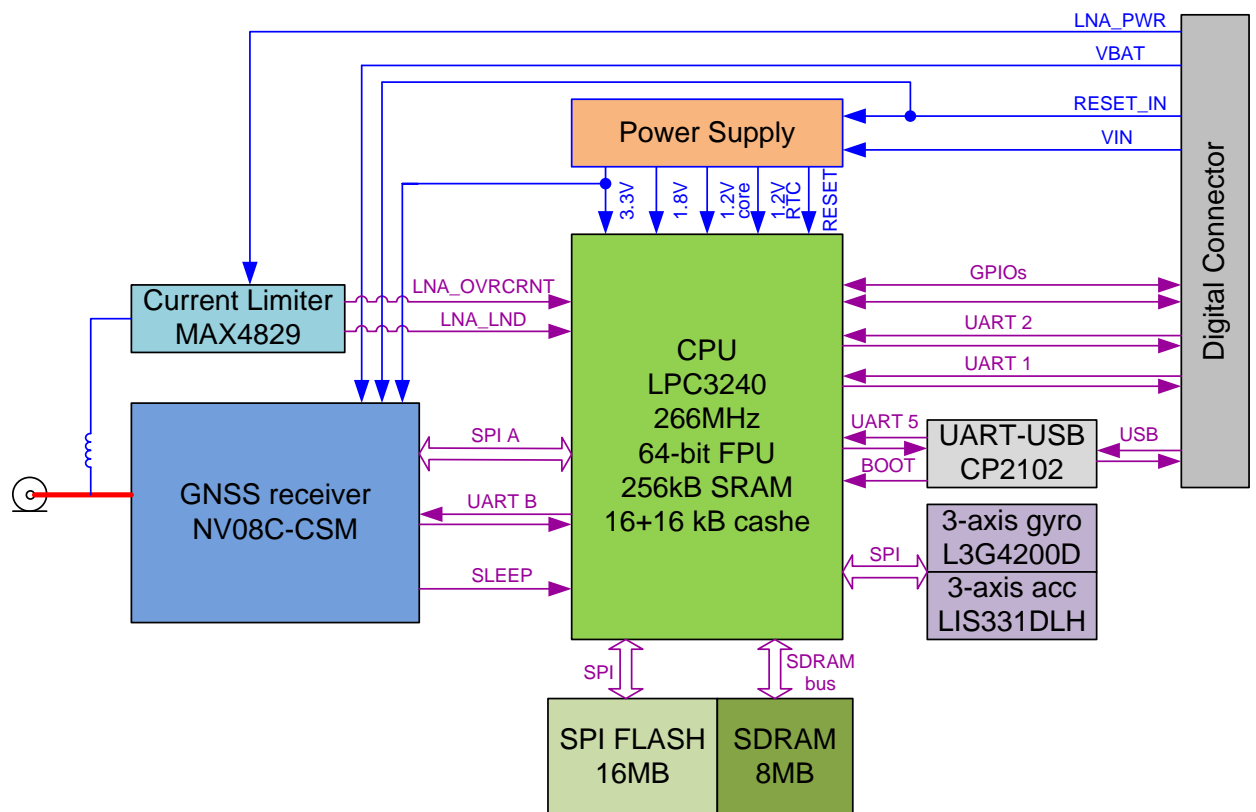


Figure 1. NV08C-RTK GNSS Card System Diagram

The NV08C-RTK GNSS Card is built on the NVS Technologies' compact NV08C-CSM high performance Global Navigation Satellite System (GNSS) receiver module. The NV08C-CSM's key feature is its compatibility with existing GNSS systems such as GPS and GLONASS and Satellite Based Augmentation Systems (SBAS), as well as with newly deployed GNSS systems.

The NV08C-RTK GNSS Card features a highly sensitive receiver to capture and maintain the satellite signals, combined with low power consumption, even when receiving multiple GNSS and SBAS signals. Tracking satellites from multiple GNSS constellations ensures higher availability of navigation signals, when compared to single constellation alternatives, and provides increased performance, accuracy and reliability for devices used in urban and industrial environments. The NV08C-CSM receiver includes two separate RF paths (GPS and GLONASS) and a 3-stage SAW filtration for enhanced interference immunity.

The NV08C-RTK GNSS Card Features:

- Integrated RTK functionality
- Base and Rover modes
- Precise navigation, positioning and timing
- Centimeter-level positioning in RTK mode
- Data rate up to 20 Hz
- GPS, GLONASS & SBAS L1
- 3-stage filtration for high out-of-band interference immunity
- 32 GNSS tracking channels
- 200K correlators – Ensuring fast TTFF and high signal sensitivity
- Individual GLONASS group delay calibration assuring very high accuracy
- NMEA 0183 / IEC 61162-1 and RTCM v3.x data protocols
- Enhanced RAIM for 3D and RTK modes
- Industrial operating temperature range -40 to +85°C
- Integrated MEMS-sensors (INS)
- Very quick and simple integration
- Small size and low power consumption

Please visit [www.nvs-gnss.com](http://www.nvs-gnss.com) for more information on NVS Technologies' NV08C GNSS Receiver Module Series.

#### **Evaluations Tools:**

An evaluation/development kit (NV08C-EVK-RTK) is available to help developers quickly familiarize themselves with the NV08C-RTK's features and functionalities. It is a flexible tool that allows users to evaluate the NV08C-RTK's various modes of operation, as well as to override default configurations/settings and interfaces.

The NV08C-EVK-RTK can be used with navigation systems to obtain current position (latitude, longitude and elevation), velocity and time, utilizing all available Global Navigation Satellite Systems (GNSS), including GPS, GLONASS and SBAS signals, at any location on earth and at any time.

## 1.2. Navigation Features

Parameter	Description
Supported GNSS signals	L1 GPS/SBAS C/A L1 GLONASS CT
Number of channels	32 channels each capable to receive any supported signal
Time to first fix	Cold star: <40 s (25 s average) Warm start: < 35 s (25 s average) RTK initialization time (after 3D fix) < 10 s Initialization reliability 99.9%
Sensitivity	Cold star: – 143 dBm With A-GNSS: – 160 dBm Tracking mode: – 160 dBm RTK mode – 137 dBm
Accuracy <sup>1</sup>	Autonomous mode: < 1.5 m Differential mode SBAS: < 1 m Height: < 2 m RTK mode 1 cm + 1ppm Velocity: 0.05 m/s
1PPS time accuracy	15 ns accuracy (rms), 38.5 ns granularity (1/26 MHz)
Update rate	Up to 10Hz
Limitations	Velocity: less than 500 m/s Acceleration: less than 5 g Height: less than 50,000 m

<sup>1</sup> RMS, 24hr static, SV @ –137 dBm

## 1.3. RF Functionalities

The NV08C-RTK requires an active antenna to be connected to the RF input. Active antenna supply voltage is provided by Host System though ANT\_PWR pin in digital connector.

The NV08C-RTK features a two-stage RF-filter circuit that provides high out-of-band interference immunity. A front-end wideband GPS+GLONASS RF filter ensures more than 40dB suppression of far-field interference, from sources such as GSM, WiFi, WiMAX, LTE and Bluetooth signal transmitters. The second filter stage is located at the output of the GPS/GLONASS Diplexer on two separate RF channels, ensuring high channel separation and additional out-of-band interference attenuation.

The parameters of the NV08C-CSM's RF inputs are as shown in **Table 1**.

**Table 1.** RF Input Parameters

Active Antenna	
1dB Compression Point	+30 dBm
Input Return Loss	-15 dB
Total Noise Figure of the analogue path at the RF input	6 dB

**Note – Table 1** shows estimated values. The actual values may differ as a result of device qualification.

The GPS/GLONASS Diplexer's output signals are further processed by two independent analogue ICs on two separate receiver channels:

- GPS/SBAS L1 (1575.42 MHz @ 8 MHz)
- GLONASS L1 (1601.5 MHz @ 8 MHz)

On both channels the satellite signals are first down-converted to the IF band (at approximately 4 to 5 MHz), then filtered by Polyphase Filters. The GPS and GLONASS channel filter has a bandwidth of 8 MHz. The signals then pass through a Variable Gain Amplifier with Automatic Gain Control. The analogue ICs include 2-bit ADCs that convert the signals from analogue to digital to be processed by the digital baseband IC. Typically both input channels are enabled to simultaneously receive all available navigation signals.

In order to facilitate fast acquisition of low level signals in poor reception areas, the NV08C-RTK contains a 26 MHz frequency generator (TCXO) with high temperature stability ( $\pm 0.5$  ppm).

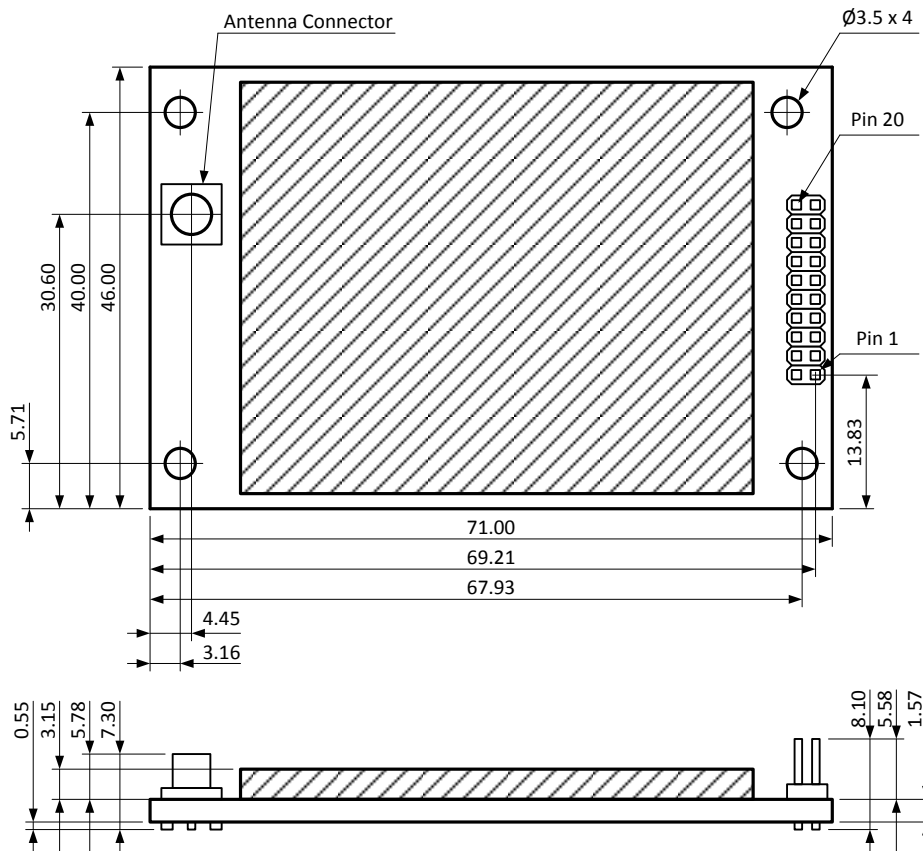
#### **1.4. Environmental Data**

Operating temperature: -40°C to +85°C

Maximum relative humidity: 98% at +40°C

## 2 Mechanical Specification

The NV08C-RTK GNSS Card size is 46x71 mm. Refer to Figure 2 for the Card's Outline Drawing.



Note:

1. All dimensions are in mm;
2. Dimensions are not for scale;
3. Hatched is top side components area . Maximum component height is 3.15 mm.

**Figure 2. NV08C-RTK GNSS Card Outline Drawing**



### 3 GNSS Antenna Interface

The NV08C-RTK GNSS Card uses MCX Jack for active antenna connection.

Active antenna supply voltage is provided by Host System through ANT\_PWR pin in digital connector.

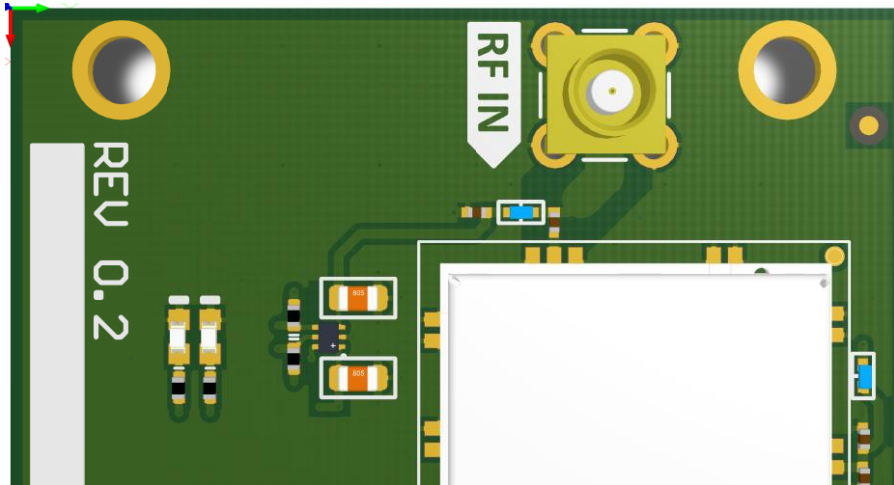


Figure 3. Active GNSS Antenna Input

### 4 Data Interfaces and Protocols

#### 4.1 Data interface

The NV08C-RTK GNSS Card features 20 (2x10) pin Header 2.0 mm Pitch (male) for connection to a Host System. For communication with the Host System two UART and one USB interfaces are available on the module. Drivers for USB interface are to be supplied with the module.

Supported baud rate for communication with NV08C-RTK GNSS Card is 4800 to 460800 bps.

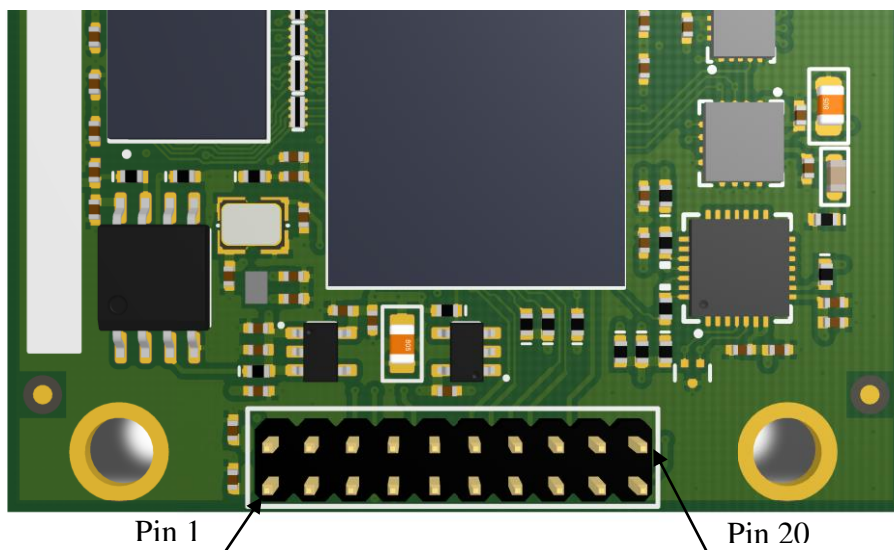


Figure 4. System connector

## 4.2 Data Protocol

The NV08C-RTK's supported protocols are as follows:

- NMEA 0183 v2.3 (IEC61162-1)
- RTCM v.3.0, v3.1
- BINR (proprietary binary protocol is available if requested)

Data update/output rate: 1, 2, 5, 10, 20\* Hz

\* - 20 Hz position/velocity output rate is supported with GNSS+INS mode

## 4.3 Default Device Configuration

By default, the NV08C-RTK's interfaces are preconfigured to support the following communication protocols:

- UART 1: NMEA, 115200 bps (messages/rates: GGA/1, RMC/1, GSV/1, GSA/1)
- UART 2: RTCM v3.x, 115200 bps communication
- USB: NMEA, 230400 bps (messages/rates: GGA/1, RMC/1, GSV/1, GSA/1).

Refer to NV08C-RTK Receivers Protocol Specification for further details.

For communication with NMEA and RTCM protocol UART ports should to be configured as 1 start – 8 data - 1 stop bit.

Other NV08C-RTK GNSS Card default settings:

- Navigation mode: RTK Rover, GPS and GLONASS
- RTCM data: accounted automatically (RTK modes)
- SBAS data: on demand (\$PONAV NMEA command)
- RAIM: automatic
- Navigation data update rate: 5 Hz
- NMEA messages: see the Protocol Specification document

## 5 Electrical Specification

### 5.1 Absolute Maximum Ratings

Table 2 provides the NV08C-RTK's absolute maximum (stress) ratings. Operation at or beyond these maximum ratings might cause permanent damage to the device.

**Table 2. Absolute Maximum Ratings**

Parameter	Minimum	Maximum	Unit
Operating Temperature Range	-40	+85	°C
Relative humidity @ 40°C		98	%
Supply Voltage	-0.3	+5.5	V
External Active Antenna Supply Voltage	-0.3	+6	V
RF Input Power		5	dBm

### 5.2 DC Electrical Characteristics

**Table 3. DC Electrical Characteristics**

Parameter	Minimum	Typical	Maximum	Unit
Supply Voltage	3.0	3.3	5.0	V
Supply current <sup>1</sup>		100 <sup>1</sup>	150	mA
Power consumption <sup>1</sup>		330	500	mW
Active Antenna DC Bias				
Voltage	2.3	-	5.5	V
Current	10 <sup>2</sup>	100	240 <sup>3</sup>	mA

<sup>1</sup> Excluding active antenna current consumption

<sup>2</sup> Minimum threshold of active antenna current detector

<sup>3</sup> Maximum supplied active antenna current

### 5.3 AC Electrical Characteristics

**Table 4. AC Electrical Characteristics**

Parameter	Minimum	Typical	Maximum	Unit
RF Chains				
L1 GPS/GALILEO/SBAS Centre Frequency		1575.42		MHz
L1 GPS/GALILEO/SBAS Bandwidth		8		MHz
L1 GLONASS Centre Frequency		1601.5		MHz
L1 GLONASS Bandwidth		8		MHz
Active antenna input				
Input P1dB		+10dBm		dBm
Noise Figure		6		dB
Impedance		50		Ω
Return Loss		-15		dB

## 5.4 System Connector Pin Assignment

Table 5. System Connector Pin Assignment

Pin#	Name	Description	Pin#	Name	Description
1	ANT_PWR	External active antenna supply	2	VIN	Device's supply
3	USB_N	USB data "minus"	4	USB_P	USB data "plus"
5	RESET_IN	Device RESET input	6	Reserved	
7	VBAT	Backup battery supply	8	NC	Not Connected
9	Reserved		10	GND	Ground
11	UART1 TX	UART1 transmitter output	12	UART1 RX	UART1 receiver input
13	GND	Ground	14	UART2 TX	UART2 transmitter output
15	UART2 RX	UART2 receiver input	16	GND	Ground
17	Reserved		18	GND	Ground
19	PPS	Pulse per second output	20	NC	Not Connected

## 5.5 Digital Signals Specification

### 5.5.1 RESET\_IN Signal

The RESET\_IN signal can be used for NV08C-RTK Card reset.

The NV08C-RTK Card has Power Supervisor inside. Therefore Host System does not need to specially control this signal during the NV08C-RTK Card power up. The NV08C-RTK Card is in active mode when RESET\_IN signal is de-asserted.

To provide forced reset of the NV08C-RTK Card the Host System should provide a pulse to the RESET\_IN input as specified below:

- Voltage level – less than 0.7 V
- The pulse length – no less than 1 ms

After the signal is applied (RESET\_IN signal level goes from low to high) the integrated power supervisor holds the NV08C-RTK Card in reset mode for at least 140 ms.

Table 6. RESET\_IN signal level requirements

Parameter	Minimum	Typical	Maximum	Unit
High Level Input Voltage	2.1	3.3	3.6	V
Low Level Input Voltage	-0.3	0	0.7	V

### 5.5.2 UARTs and PPS Signals

The NV08C-RTK Card has 3.3V nominal voltage for UARTs and PPS I/O signals

**Table 7. Input Voltage for UART1, UART2, PPS**

Symbol	Parameter	IO Supply Voltage	Minimum	Typical	Maximum	Unit
V <sub>IH</sub>	High Level Input Voltage	3.3V	2.0	3.3	3.6	V
V <sub>IL</sub>	Low Level Input Voltage	3.3V	-0.3	0	0.8	V

### 5.5.3 1PPS Output

1PPS output is present at the Pin#19. By default 1PPS signal is generated permanently and independently of a valid position fix whether available or not. If a valid position fix is not available, the 1PPS signal will be generated each second as per the internal hardware's defined time scale. If a valid position fix is available, the 1PPS signal refers to a user defined time standard (UTC by default). If required the 1PPS output can be set to operate only when a valid position fix is available.

1PPS signal parameters:

- Voltage level                    3.3V (CMOS)
- Output frequency                1 Hz
- True time                         Refer to the pulse rising (default) or the falling edge
- Pulse duration                    38.5 ns to 2.5 ms (1 ms by default)
- Refers to                          UTC (default), GPS, GLONASS or UTC SU time standard
- 1PPS accuracy                    ±15 ns (antenna cable delay to be compensated)
- 1PPS granularity                 38.5 ns (26 MHz TCXO referenced)

The rising (or falling) edge shift is relative to the defined time-standard, and is available in the NMEA \$POUTC command.

### 5.5.4 USB\_N, USB\_P Signals

USB\_N, USB\_P signals provides USB serial data interface for communication with Host System. USB serial data interface is compliant to the USB 2.0 full-speed device specification.

## 6 Functional Description

### 6.1 Functional overview

The NV08C-RTK GNSS Card with a connected external antenna provides automatic acquisition, tracking and positioning of GNSS signals. Navigation data is provided to the Host System by means of NMEA protocol.

### 6.2 GNSS Antenna Connection

The NV08C-RTK GNSS Card uses MCX Jack for active antenna connection. The active antenna supply voltage should be provided by Host System through ANT\_PWR pin (pin#1 in digital connector). The active GNSS antenna input includes an auto-detection feature with short-circuit protection. The supply current is limited to 100 mA typ. (240 mA max.) in case of short-circuit on the active antenna connector.

It is very important to select a proper antenna to achieve optimum performance.

If an active antenna is employed, excessive LNA gain and bandwidth may reduce the quality of signal reception, due to potential in-band and out-of-band interferences. As well, an active antenna with insufficient gain or bandwidth, or high cable loss may decrease the receiver's sensitivity.

Recommended active antenna parameters are as follows:

- GPS/GLONASS L1, bandwidth 35 MHz @  $f_c = 1590$  MHz
- Gain including LNA and cable losses 20 to 30 dB
- Built-in LNA noise figure <2 dB
- RF Output Impedance 50  $\Omega$
- Return Loss <-10 dB
- Out-of-band signal Rejection: at least 35dB @  $f_c \pm 70$  MHz.

### 6.3 Backup Power Supply VBAT

If an independent VBAT voltage is applied, the NV08C-RTK module can store (in its BRAM) navigation parameters (almanac, ephemeris, last calculated coordinates etc.).

When navigation parameters are stored, the module is able to provide warm or hot starts (depending on its switch-off time and available navigation data).

If no VBAT voltage is applied to the module, all data saved in the BRAM will be erased when the module is powered off.

### 6.4 Firmware Update

The NV08C-RTK GNSS Card's Firmware can be updated. The PatchWriter (a software tool to download Firmware) and the latest revision of the FW are to be provided by NVS' support team.

The Host System can also download new FW to the NV08C-RTK GNSS Card by means of NMEA command: \$PNVGPRL,C\*2E\r\n.

Once NV08C-RTK receives the command it switches over to the programming mode and starts transmitting of "0x43" character (in ASCII format – character "C"). In response the Host System

should download a new FW as a sequence of bytes (FW binary file) by means of the X-modem-CRC protocol. Once the binary file has been completely downloaded, the NV08C-RTK stores the new loaded FW into embedded non-volatile memory and then forces restart of the device.

NVS Technologies can support application specific requirements. Contact NVS' Support Team for customization of standard functionality.

***Caution*** – ***The process of storing the FW to FLASH memory will only begin when transmission of the Patch to the module has been fully completed. (This will require a few seconds depending on the data transferring baud rate). During this process the NV08C-RTK GNSS Card must not be powered-off and RESET signal must not be applied. Turning off or resetting the device while downloading a FW might lead to a malfunction of the NV08C-RTK GNSS Card and recovery can only be done by the factory.***